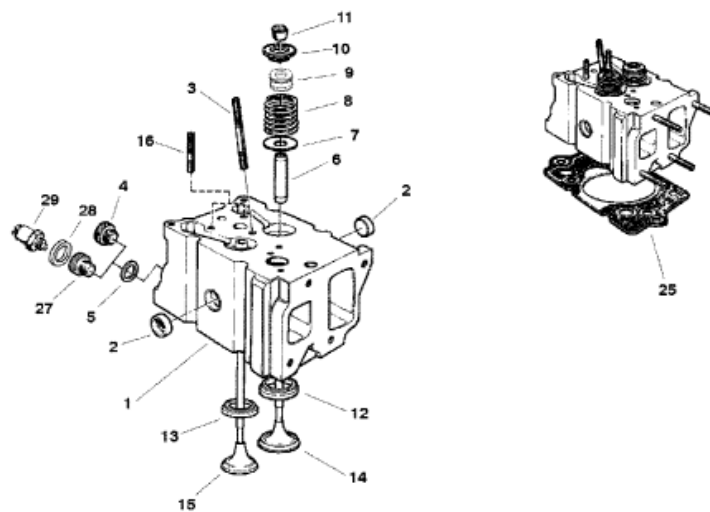
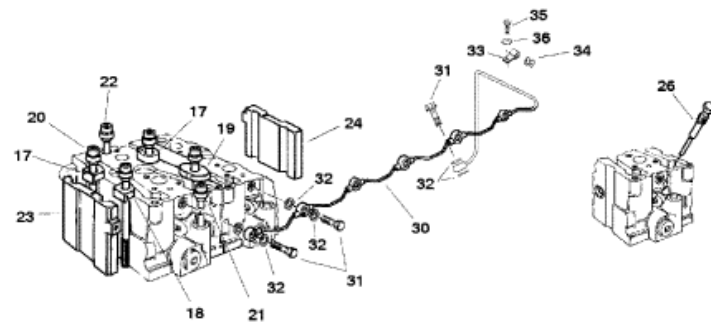


Parts List



12765

Ref	Class	Part	Description	Qty	Comment	Footnote
1		889509	CYLINDER HEAD ASSEMBLY	6		
2	19	889855	PLUG, Expansion	12		
3	16	854069	STUD, (M8 x 60)	6		
4	10	801763377	PLUG	4		
5	25	809963342	O-RING	6		5
6		854070	VALVE GUIDE, Standard	12		
7		801331752	PLATE, Spring	12		
8	24	811388	SPRING, Valve	12		
9	26	854068	SEAL, Oil	12		
10		801331754	CAP, Spring	12		
11		801331755	KEEPER, Valve	24		
12		854071	SEAT, Intake Valve	6		
13		854072	SEAT, Exhaust Valve	6		
14		854073	VALVE, Intake	6		
15		854074	VALVE, Exhaust	6		
16	16	854075	STUD, (M8 x 35)	12		
17		801331671	BRIDGE, Manifold Side	7		
18		801331673	BRIDGE, End	2		
19		801331674	BRIDGE, Intermediate	5		
20	10	806685	BOLT, (M14 x 149.5), Center	14		
21	10	806686	BOLT, (M12 x 94.5), Injector Side	6		
22	10	806687	BOLT, (M12 x 127.5), Manifold Side	6		
23	23	881746	SPACER	1		
24	23	881746	SPACER	1		
25	27	877376	GASKET, (1.42mm), Front Gasket	1		
25	27	879678	GASKET, (1.52mm), Front Gasket	OPT		
25	27	879679	GASKET, (1.62mm), Front Gasket	OPT		
25	27	877377	GASKET, (1.42mm), Rear Gasket	1		
25	27	879680	GASKET, (1.52mm), Rear Gasket	OPT		
25	27	879681	GASKET, (1.62mm), Rear Gasket	OPT		
26	19	854080	PLUG, Glow	6		
26	33	802737	GLOW PLUG KIT	OPT		
27	22	880819	ADAPTOR	1	(SINGLE STATION TEMP SENDE	
27	22	52382	BUSHING	1	(DUAL STATION TEMP SENDER	
27	22	884000	ADAPTOR	1	(ECT SENSOR)	
28	25	809963129	WASHER	1	(WATER TEMPERATURE SEND	5
28	25	809963129	WASHER	1	(ECT SENSOR)	
29	87	880820	SENDER	1	(SINGLE STATION)(WATER TEM	
29		49734	SENDER	1	(DUAL STATION)(WATER TEMP	
29	87	854081	SENSOR	1	(ECT SENSOR)	
29	22	889855	OIL LINE	1		